

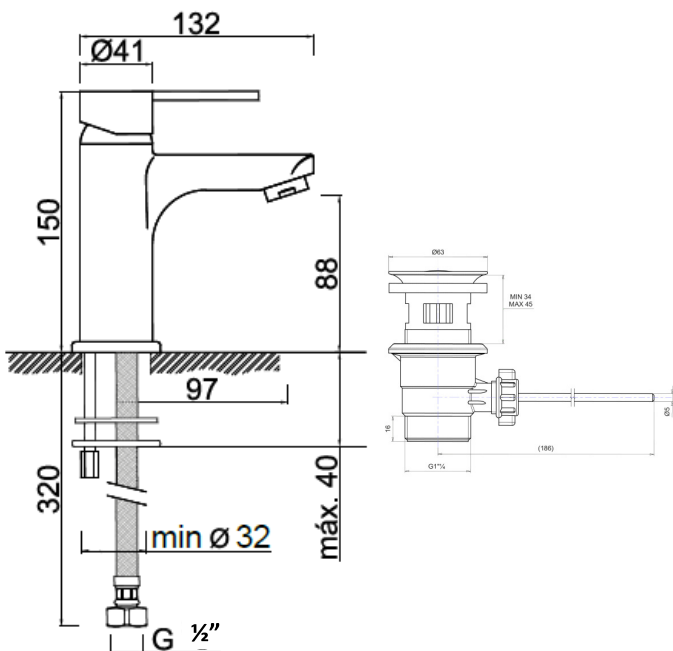


# NASSER RASHID LOOTAH TRADING

# BURG

**Name:** SERRA    **Ref.:** SERRA001HIGH-2GO    **Finish:** Bright Chrome

BASIN MIXER W/POP UP WASTE & 1/2" FLEXIBLES



## Description

- Confort 88
- Spout 97
- Flow rate 12 l/min
- Round waste ref. ACC123

## Options

- Eco/Dual cartridge+Energy flow rate restrictor (up to 50% saving) And energy saving



## Components



- Cartridge 35mm;
- Ceramic discs;
- Up to 10 bar;
- Up to 90°C;
- EN817/NF-077, 70000 CYCLES;
- ASME A112-18-1, 350000 CYCLES;
- **MADE IN SPAIN**



- Aerator M24X1
- Classe A CR-NF
- **MADE IN ITALY**



- L=370mm, G 1/2" Nut, M10x1 Male;
- Flow rate until 28l /min;
- Curve radius: min. 25mm;
- Up to 10 bar;
- Up to 70°C.
- **MADE IN SPAIN**

**100% MADE IN EU**

**10 YEARS WARRANTY**

CERTIFIED BY



## CONTACT

**Mrs. PANKTI NAIR - Trading Manager**

Mobile No: +971 52 124 7768

E-mail Id: pankti@nrl-trading.com

Website: www.nrl-trading.com