

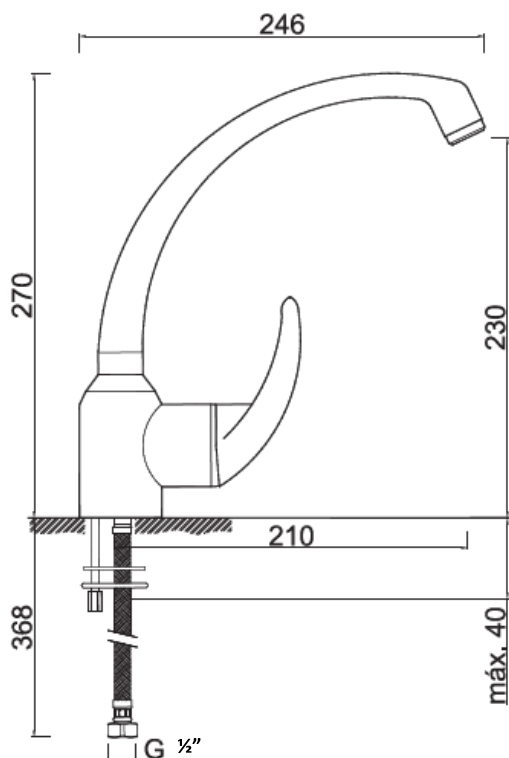


NASSER RASHID LOOTAH TRADING

BURG

Name: PRACA Ref.: PRACA005.1 Finish: Bright Chrome

SINK MIXER W/ 1/2" FLEXIBLES



Description

- Confort 230
- Spout 246
- Flow rate 13,2 l/min.
- Rotation 360°;
- Without pop-up waste.

Options

- Eco/Dual cartridge+Energy flow rate restrictor (up to 50% saving) And energy saving



Components



gitec

- 35mm;
- Up to 10 bar;
- Up to 90°C;
- EN817/NF-077, 70000 CICLOS;
- ASME A112-18-1, 350000 CICLOS;
- **MADE IN SPAIN**



AMFAG

- Aerator M22X1;
- Classe A
- **MADE IN ITALY**



tucal

- L=370mm, G 1/2", M10x1 Male;
- Flow rate until 28 l/min;
- Curve radius 30mm;
- Up to 10 bar;
- Up to 90°C.
- **MADE IN SPAIN**

100% MADE IN EU

10 YEARS WARRANTY

CERTIFIED BY



CONTACT

Mrs. PANKTI NAIR - Trading Manager

Mobile No: +971 52 124 7768

E-mail Id: pankti@nrl-trading.com

Website: www.nrl-trading.com