

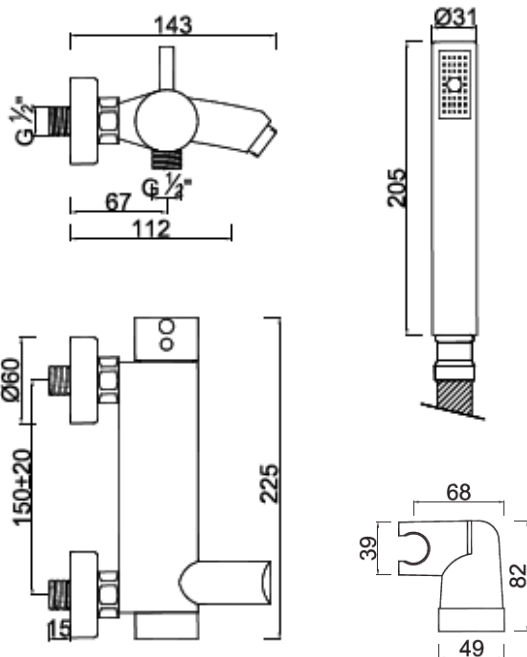


NASSER RASHID LOOTAH TRADING

BURG

Name: ELVAS Ref.: ELVAS005-1 Finish: Bright Chrome

BATH / SHOWER MIXER W/KIT SHOWER



Description

- Shower Kit included;
- Eccentrics 150+/-20mm;
- Spout 117/169;
- Flow rate: faucet 20,2 l/min.; hand shower 14 l/min.;
- Automatic diverter;
- Metallic hub-cap.

Options

- Eco/Dual cartridge flow rate restrictor (up to 50% saving)



Components



gitec

- Cartridge 35mm;
- Ceramic discs;
- Up to 10 bar;
- Up to 90°C;
- EN817/NF-077, 70000 CYCLES;
- ASME A112-18-1, 350000 CYCLES;
- **MADE IN SPAIN**



NEOPERL
flow, stop and go!

- Aerator M28X1 Classe D;
- Integrated Diverter according to EN817;
- **MADE IN ITALY**



Shower Kit

- Hand shower, ABS;
- Shower hose 1,50cm (metallic)
- Orientable Wall bracket; ABS;

100% MADE IN EU

10 YEARS WARRANTY

CERTIFIED BY



CONTACT

PANKTI NAIR - Trading Manager

Mobile No: +971 52 124 7768

E-mail Id: pankti@nrl-trading.com

Website: www.nrl-trading.com